

# Cleaning Tool

for Primado2 Attachments



**Primado2**

## Efficient cleaning of contaminants in the lumen

Reduce the risk of excessive heat development and malfunction of attachments due to insufficient cleaning



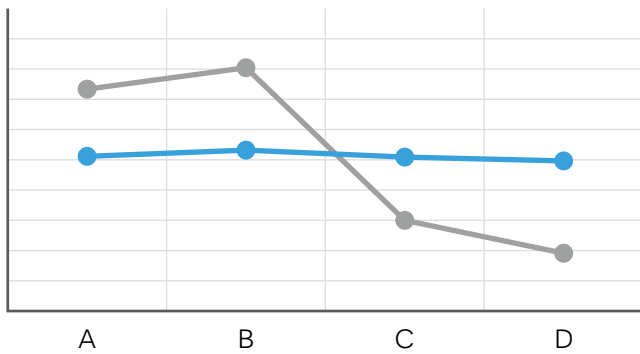
Contaminants in the lumen

## Specially designed Cleaning Holder

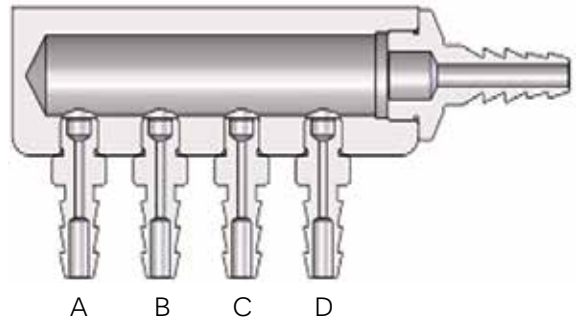
Maintains balance of flow rate in each outlet

Comparison table of flow rate\*

- Controlled Design
- Uncontrolled Design



\*Based on the result of in-house testing



## Choice of cleaning options

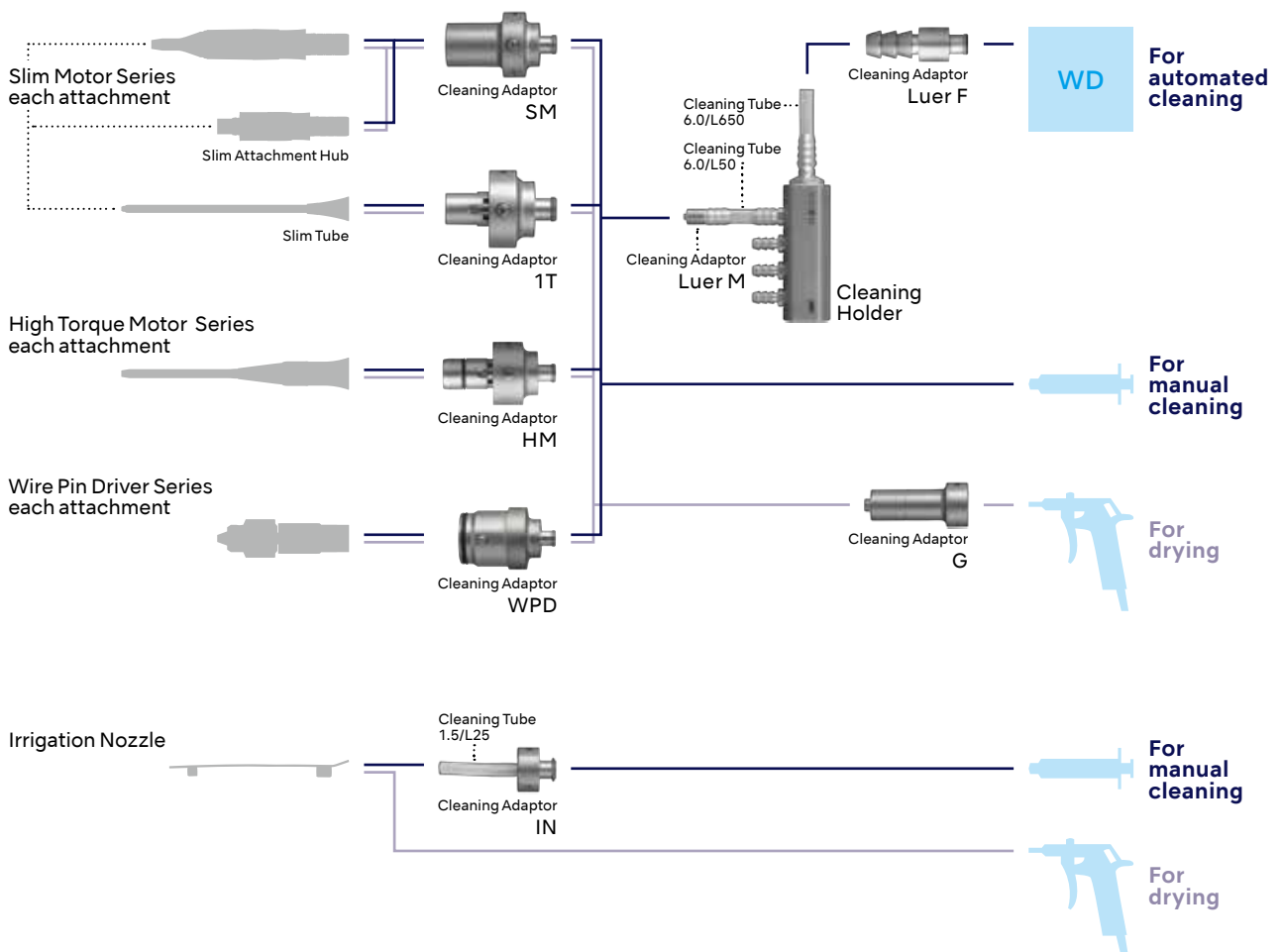
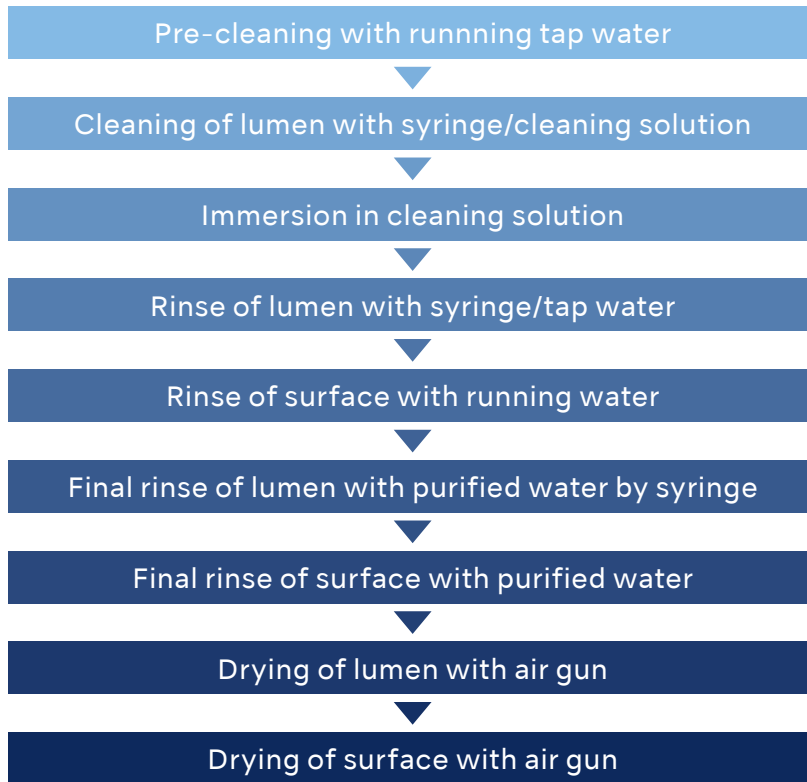
Manual cleaning



Washer disinfectant



# Cleaning process steps for manual cleaning



\* Please be sure to read the reprocessing manual.  
 \* These Cleaning Tools can not be used with the Bone Saw Attachment.  
 \* Cleaning Adaptor IN can not be used for automated cleaning.

Description		Order code	
Cleaning Holder		PD-CTH	Bundled Item: PD-CTTU-606501 PD-CTTU-600504
Cleaning Adaptor Luer M		PD-CTAD-LM	
Cleaning Adaptor Luer F		PD-CTAD-LF	
Cleaning Adaptor SM		PD-CTAD-SM	
Cleaning Adaptor 1T		PD-CTAD-1T	
Cleaning Adaptor IN		PD-CTAD-IN	Bundled Item: PD-CTTU-150252
Cleaning Adaptor HM		PD-CTAD-HM	
Cleaning Adaptor WPD		PD-CTAD-WPD	
Cleaning Adaptor G		PD-CTAD-G	
Cleaning Tube 6.0/L650		PD-CTTU-606501	
Cleaning Tube 6.0/L50		PD-CTTU-600504	
Cleaning Tube 1.5/L25		PD-CTTU-150252	
EZ Spray Adaptor		PD-EZ-M	
Spray Adaptor for Slim		P200-EZ-SM	
Spray Adaptor for Bone Saw		P200-EZ-BM	
Spray Adaptor for WPD		P200-EZ-WPD	
PANA SPRAY Plus		Z182100	