

# Primado2



**NSK**

# NSK The Company

To us, KANUMA is the center of the world.

It was here in Kanuma that we first started and it is here where we will continue to create the best in class, high-speed rotation technology in the world. "Made in Japan" symbolizes world class quality and craftsmanship and now "Made in Kanuma" will define the finest quality in high-speed drills across the world.



## Quality Results from Processes

This has been the NSK policy since its foundation. Up to 30 processes may be necessary to create one complete component from a bar of raw material. The total number of machining processes required to create all parts of a single product is 930. If the individual processes do not attain the degree of accuracy needed, the final product will not deliver the requisite high precision. Ensuring micron-scale accuracy is crucial. In pursuit of such accuracy, NSK's key strength lies in the ability to internally manage integrated production from the component stage. To ensure high quality, defective parts are never passed. Manufacturing is a constant battle to push the limits. And the state-of-the-art manufacturing pursued by NSK is an never-ending challenge.



## Global Network

NSK has sales subsidiaries in 15 countries with each subsidiary actively conducting sales and marketing activities in its local territory, providing detailed after-sales services and attracting new NSK fans every day. Furthermore, NSK is also collaborating with import agents in other countries and building strong ties to promote sales in local areas. NSK has built a solid global sales network and exports to 135 countries. The voice of our sales partners is important, and NSK strives to ensure quick and reliable support. These strong partnerships can then transfer to our customers, who can be fully confident in our brand and products.





# Feel The Difference

## Stable Rotation

- Primado2 provides smooth acceleration at low speeds and stable rotation at middle/high speeds
- Less run-out delivers precise, smooth bone cutting performance

## Uncompromising Design

- Variable exposure allows for versatility of surgical procedures \*P300 Attachment
- High quality cutting accessories made with innovative technology

## Better Usability

- The universal bur length system features one bur shank length that can be used with any length attachment \*Standard Attachment 300
- The risk of excessive heat development and consequent malfunction as a result of insufficient cleaning is reduced





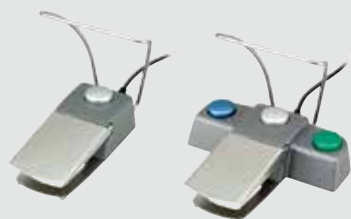
# Product Lineup

## Control Unit



Primado2 Control Unit

## Foot Control



Primado2 Foot Control

## Reprocessing

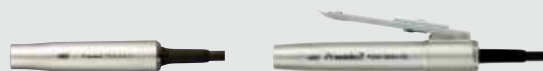


Cleaning Tool

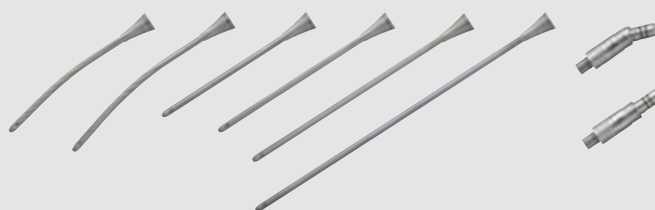


PANA SPRAY Plus

## Slim Motor Series



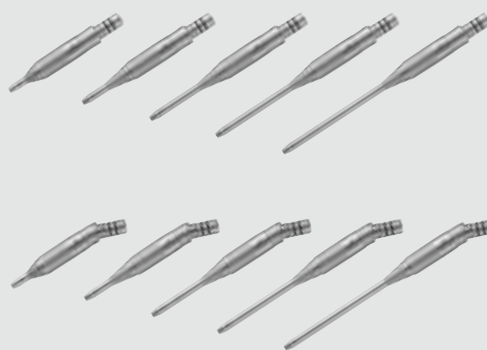
Primado2 Slim Motor



Slim Attachment 300



Super Slim Handpiece 200



Standard Attachment 300



Perforator

Drill

Craniotome



Contra Angle

Metal Cutting

## High Torque Motor Series



Primado2 High Torque Motor

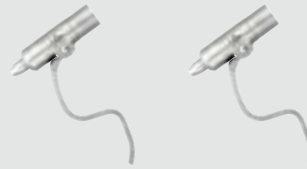


High Speed Handpiece 200

## Wire Pin Driver Series



Primado2 Wire Pin Driver



Wire & Pin Collet

## Micro Bone Saw Series



Primado2 Micro Bone Saw Motor



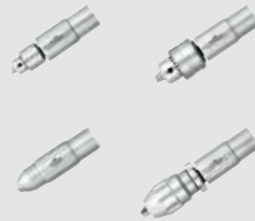
Reciprocating Saw Attachment



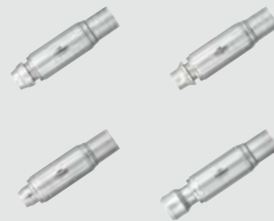
Sagittal Saw Attachment



Oscillating Saw Attachment



Drill Attachment



Reamer Attachment



Saw Attachment

# Primado2 Control Unit

Compact design for easy set-up

Extensive options can be set up individually (e.g., Acceleration/Brake adjustment, Irrigation, etc.)

Main panel's simple operation makes it user-friendly



Order Code

**P200-CU-230**

Primado2 Control Unit 230V

- Power Supply : AC230V 50/60 Hz
- Dimension : W278 x D268 x H160 (mm)
- Weight : 6.9 kg

## HOME Screen

- Speed control
- Irrigation control
- Reverse rotation control
- Priming control
- Foot Control setting displayed

## Setting Options

### [Control Unit]

- Brightness
- Volume
- Language settings (6 languages available)
- Displays rotation speed of engaged motor/attachment

### [Motor]

- Acceleration adjustment
- Brake adjustment
- Torque adjustment
- Oscillation adjustment (available for Wire Pin Driver only)

## Configuration Settings

### Automatic motor recognition

### Integrated High Performance Irrigation Pump





# Foot Control

Available in two models: single function button and multi-function button

An open pedal design enables precise and easy control

Each button can be set to a specific function to meet the operator's preference



Order Code

**FC-73**

**Primado2 Single Foot Control**

• 1 pedal with 1 function button



Order Code

**FC-74**

**Primado2 Multi Foot Control**

• 1 pedal with 3 function buttons

## Functional Options

- Foot control ON/OFF
- A⇌B control (switching between motors)
- Speed control  
(adjust rotational speed; Min. 30%⇒default⇒ Max. 100%)
- Reverse rotation mode
- Irrigation ON/OFF
- Flush (continuous 100% irrigation when pressed)
- Disable (i.e., set the status as no function)
- Speed control : variable
- IP rating : IPX8



# Slim Motor Series

Compact and lightweight design prevents surgeon fatigue during procedures

A variety of attachments are available

Quick Joint allows for an easy attachment-motor connection



## Primado2 Slim Motor

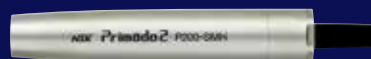
- Speed : Max. 80,000 min<sup>-1</sup>
- Bundled Item : P200-EZ-SM (see p.26)



Order Code

**P200-SMH-S**

Primado2 Slim Motor Short



Order Code

**P200-SMH**

Primado2 Slim Motor



Order Code

**P200-SMH-HS**

Primado2 Slim Motor/HS

- Hand Control type

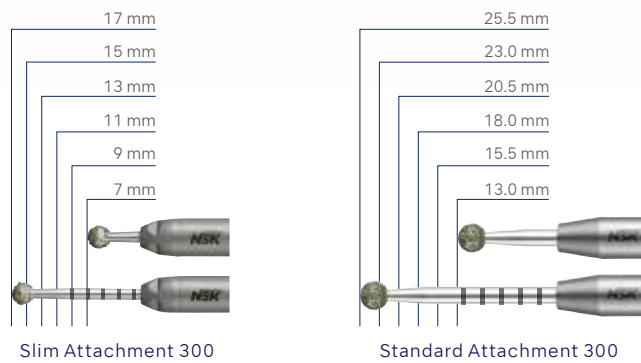
# P300 Attachment Key Features



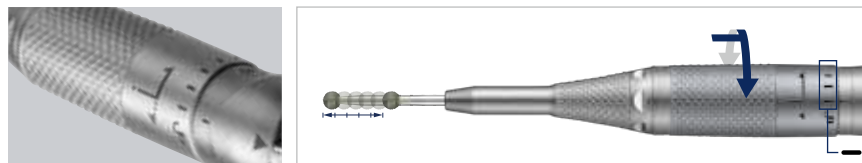
The stable rotation performance is consistent with current P200 attachments, however, the P300 attachments are designed to improve visibility, smooth operation, and safety.

## Variable Exposure

- Improved accessibility and visibility due to the 6-step adjustment mechanism

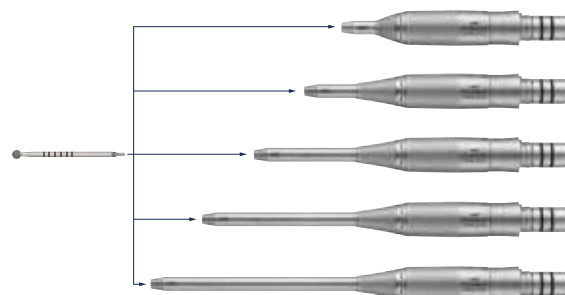


- The attachment's twist collet allows for variable exposure without having to handle the bur. \*Standard Attachment 300



## Universal Bur Length System \*Standard Attachment 300

- One bur size fits all lengths of attachment
- Easier management in the operating room



# Slim Attachment 300 80,000min<sup>-1</sup>

## Slim Attachment Hub

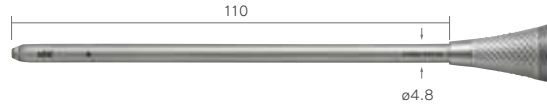


Order Code  
**P300-1AHS**  
Slim Attachment Hub/Straight



Order Code  
**P300-1AHA**  
Slim Attachment Hub/Angled

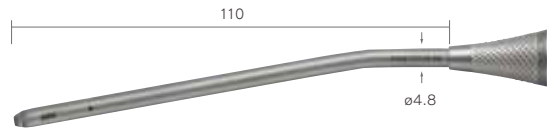
## Slim Tube



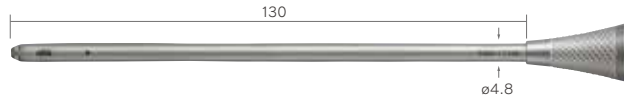
Order Code  
**P300-1T110**  
Slim Tube 110



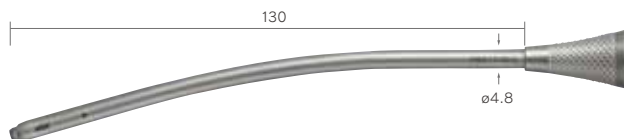
Order Code  
**P300-1T110-C**  
Slim Tube 110/C



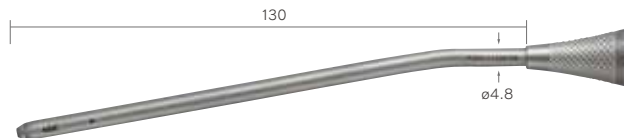
Order Code  
**P300-1T110-PB**  
Slim Tube 110/PB



Order Code  
**P300-1T130**  
Slim Tube 130



Order Code  
**P300-1T130-C**  
Slim Tube 130/C



Order Code  
**P300-1T130-PB**  
Slim Tube 130/PB



Order Code  
**P300-1T170**  
Slim Tube 170



Order Code  
**P300-1T240**  
Slim Tube 240

## Accessory



Order Code  
**P300-1T-B\***  
Slim Tube Beak



Order Code  
**P300-1T-H\***  
Slim Tube Hood

\*Cannot be used with the Irrigation Nozzle.

## Irrigation Nozzle






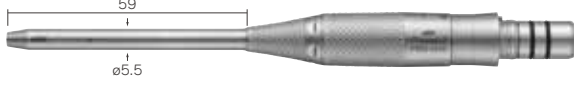
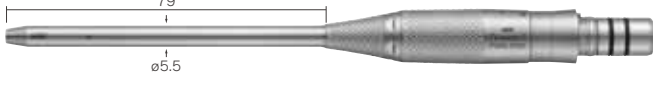
Order Code  
**P200-IN-1A155**  
For P300-1T110 / P300-1T110-C / P300-1T110-PB

Order Code  
**P200-IN-1A175**  
For P300-1T130 / P300-1T130-C / P300-1T130-PB


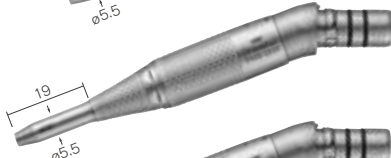
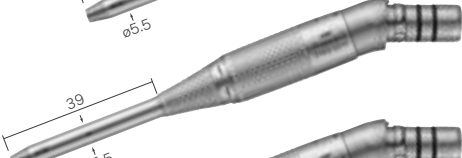
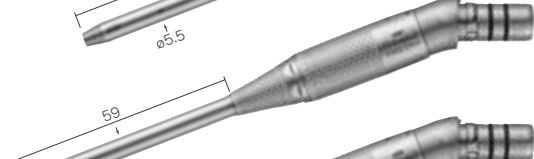
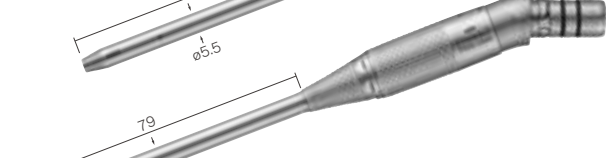


# Standard Attachment 300 80,000min<sup>-1</sup>

## Straight

	Order Code <b>P300-2S10</b> STD Attachment 10/Straight
	Order Code <b>P300-2S20</b> STD Attachment 20/Straight
	Order Code <b>P300-2S40</b> STD Attachment 40/Straight
	Order Code <b>P300-2S60</b> STD Attachment 60/Straight
	Order Code <b>P300-2S80</b> STD Attachment 80/Straight

## Angled

	Order Code <b>P300-2A10</b> STD Attachment 10/Angled
	Order Code <b>P300-2A20</b> STD Attachment 20/Angled
	Order Code <b>P300-2A40</b> STD Attachment 40/Angled
	Order Code <b>P300-2A60</b> STD Attachment 60/Angled
	Order Code <b>P300-2A80</b> STD Attachment 80/Angled

## Accessory



Order Code  
**P300-2-B\***  
STD Attachment Beak



\*Cannot be used with the Irrigation Nozzle.

## Irrigation Nozzle



Order Code  
**PD-IN-D**  
For P300-2S10 / P300-2A10  
P300-2S20 / P300-2A20

Order Code  
**PD-IN-2ES**  
For P300-2S40 / P300-2A40

Order Code  
**PD-IN-2S**  
For P300-2S60 / P300-2A60

Order Code  
**PD-IN-2M**  
For P300-2S80 / P300-2A80





# Slim Handpiece 200 $80,000\text{min}^{-1}$



Order Code  
**P200-1A135**  
Slim Handpiece200 L

Order Code  
**P200-1A155**  
Slim Handpiece200 EL

Order Code  
**P200-1A175**  
Slim Handpiece200 SL

Order Code  
**P200-1A155-C**  
Slim Handpiece200 EL/Curved

Order Code  
**P200-1A175-C**  
Slim Handpiece200 SL/Curved

Order Code  
**P200-1ARA-W**  
Wrench for Slim/Super Slim

- Corresponding wrench for bur guard
- Included with Slim Handpiece 200



## Irrigation Nozzle



Order Code  
**P200-IN-1A155**  
For P200-1A155 / P200-1A155-C

Order Code  
**P200-IN-1A175**  
For P200-1A175 / P200-1A175-C

# Super Slim Handpiece 200 $20,000\text{min}^{-1}$



Order Code  
**P200-RA330**  
Super Slim Handpiece200 SPL

Order Code  
**P200-RA330-L**  
Super Slim Handpiece200 SPL/L  
• Large Bore Type






Order Code  
**P200-1ARA-W**  
Wrench for Slim/Super Slim

- Corresponding wrench for bur guard
- Included with Super Slim Handpiece 200

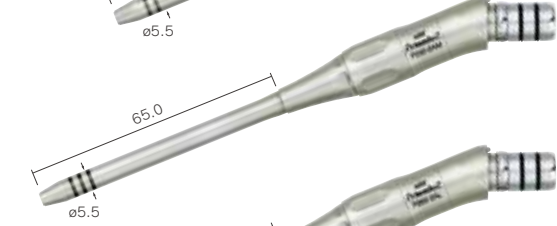


# Standard Handpiece 200 80,000min<sup>-1</sup>

## Straight

	Order Code <b>P200-2SMS</b> Std. Straight Handpiece200 MS
	Order Code <b>P200-2SES</b> Std. Straight Handpiece200 ES
	Order Code <b>P200-2SS</b> Std. Straight Handpiece200 S
	Order Code <b>P200-2SM</b> Std. Straight Handpiece200 M
	Order Code <b>P200-2SL</b> Std. Straight Handpiece200 L

## Angled

	Order Code <b>P200-2AMS</b> Std. Angled Handpiece200 MS
	Order Code <b>P200-2AES</b> Std. Angled Handpiece200 ES
	Order Code <b>P200-2AS</b> Std. Angled Handpiece200 S
	Order Code <b>P200-2AM</b> Std. Angled Handpiece200 M
	Order Code <b>P200-2AL</b> Std. Angled Handpiece200 L

## Irrigation Nozzle



Order Code  
**PD-IN-D**  
For P200-2SMS (MS)  
P200-2AMS (MS)

Order Code  
**PD-IN-2ES**  
For P200-2SES (ES)  
P200-2AES (ES)

Order Code  
**PD-IN-2S**  
For P200-2SS (S)  
P200-2AS (S)

Order Code  
**PD-IN-2M**  
For P200-2SM (M)  
P200-2AM (M)

Order Code  
**PD-IN-2L**  
For P200-2SL (L)  
P200-2AL (L)



## Perforator Handpiece 200 $1,250\text{min}^{-1}$



Order Code

**P200-PER**

Perforator Handpiece 200

• Compatible Chuck: Hudson Chuck

## Drill Handpiece 200 $80,000\text{min}^{-1}$



Order Code

**P200-2SD**

Straight Drill Handpiece 200

Irrigation Nozzle



Order Code

**PD-IN-D**

For P200-2SD



## Contra Angle Handpiece 200



Order Code

**P200-CA-4**

Contra Angle Handpiece 200 4:1

- 4:1 Reduction (Speed: Max.  $20,000\text{ min}^{-1}$ )
- Latch Type Chuck
- Corresponds to  $\varnothing 2.35\text{mm}$  CA burs

# Craniotome Handpiece 200 $80,000\text{min}^{-1}$



Order Code  
**P200-CRA**  
Craniotome Handpiece200



Order Code  
**P200-CRD-P**  
Pediatric Duraguard200



Order Code  
**P200-RCRD-P**  
Rotatable Duraguard200 P



Order Code  
**P200-CRD-M**  
Medium Duraguard200



Order Code  
**P200-RCRD-M**  
Rotatable Duraguard200 M



Order Code  
**P200-CRD-L**  
Long Duraguard200



Order Code  
**P200-RCRD-L**  
Rotatable Duraguard200 L

# Metal Cutting Handpiece 200 $80,000\text{min}^{-1}$



Order Code  
**P200-3MC**  
Metal Cutting Handpiece200

# High Torque Motor Series

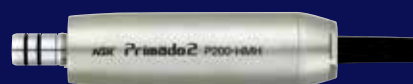
High torque motor delivers advanced cutting performance

Max. 100,000min<sup>-1</sup> is available with a High Speed Handpiece

Quick Joint allows for an easy attachment-motor connection



## Primado2 High Torque Motor • Speed : Max. 60,000 min<sup>-1</sup>



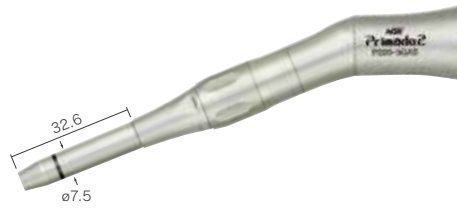
Order Code  
**P200-HMH**  
Primado2 High Torque Motor



Order Code  
**P200-HMH-HS**  
Primado2 High Torque Motor/HS  
• Hand Control type



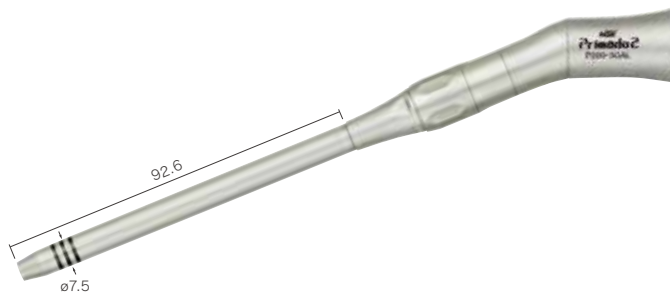
# High Speed Handpiece 200 100,000min<sup>-1</sup>



Order Code  
**P200-3GAS**  
High Speed Handpiece200 S



Order Code  
**P200-3GAM**  
High Speed Handpiece200 M



Order Code  
**P200-3GAL**  
High Speed Handpiece200 L

## Irrigation Nozzle



Order Code  
**PD-IN-3S**  
For P200-3GAS(S)

Order Code  
**PD-IN-3M**  
For P200-3GAM(M)

Order Code  
**PD-IN-3L**  
For P200-3GAL(L)



# Micro Bone Saw Series

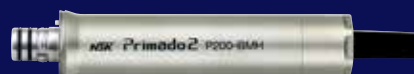
| A modular system in which one motor accepts 3 different types of saws

| Designed for powerful cutting performance and less vibration



## Primado2 Micro Bone Saw Motor

- Speed : Max. 20,000 min<sup>-1</sup>
- Bundled Item : P200-EZ-BM (see p.26)



Order Code

**P200-BMH**

Primado2 Micro Bone Saw Motor



Order Code

**P200-BMH-HS**

Primado2 Micro Bone Saw Motor/HS

- Hand Control type

## Reciprocating Saw 20,000min<sup>-1</sup>



Order Code

**P200-REC**

**Primado2 Rec. Attachment**

- Stroke Length : 2.5mm

Order Code

**P200-REC-S**

**Primado2 Rec. Handpiece**

- Included Item : P200-BMH, P200-REC

Order Code

**P200-REC-S-HS**

**Primado2 Rec. Handpiece/HS**

- Hand Control type
- Included Item : P200-BMH-HS, P200-REC

## Sagittal Saw 20,000min<sup>-1</sup>



Order Code

**P200-SAG**

**Primado2 Sag. Attachment**

- Angle of Oscillation : 8°

Order Code

**P200-SAG-S**

**Primado2 Sag. Handpiece**

- Included Item : P200-BMH, P200-SAG

Order Code

**P200-SAG-S-HS**

**Primado2 Sag. Handpiece/HS**

- Hand Control type
- Included Item : P200-BMH-HS, P200-SAG

## Oscillating Saw 20,000min<sup>-1</sup>



Order Code

**P200-OSC**

**Primado2 Osc. Attachment**

- Angle of Oscillation : 8°

Order Code

**P200-OSC-S**

**Primado2 Osc. Handpiece**

- Included Item : P200-BMH, P200-OSC

Order Code

**P200-OSC-S-HS**

**Primado2 Osc. Handpiece/HS**

- Hand Control type
- Included Item : P200-BMH-HS, P200-OSC



Order Code

**PD-OSC-A**

**Adaptor For Oscillating Saw**

- Bundled Item : Corresponding wrench (1), and screws (2)

**Irrigation Nozzle  
for Bone Saw**



Order Code

**P200-IN-BS**

**For P200-REC / P200-SAG  
P200-OSC**

# Wire Pin Driver Series

Delivers power performance across a variety of surgical applications

The versatile options include a Drill, Reamer, and Micro Bone Saw



## Primado2 Wire Pin Driver

- Speed : Max. 1,200 min<sup>-1</sup>
- Rotation Mode : Forward, Reverse, Oscillating
- Bundled Item : P200-EZ-WPD (see p.26)



Order Code

**P200-WPD**

Primado2 Wire Pin Driver

## Wire & Pin Collet 1,200min<sup>-1</sup>



Order Code  
**PD-DA-W**  
Primado Wire Collet  
• ø0.6~ø1.9 mm



Order Code  
**PD-DA-P**  
Primado Pin Collet  
• ø2.0~ø3.2 mm

## Drill Attachment 1,200min<sup>-1</sup>



Order Code  
**PD-DA-J4**  
Jacobs Keyed Drill Chuck  
• ø0.5~ø4.0 mm  
• Bundled Item: T wrench



Order Code  
**PD-DA-J6**  
Jacobs Keyed Drill Chuck  
• ø0.5~ø6.5 mm  
• Bundled Item: T wrench



Order Code  
**PD-DA-A**  
AO Drill Chuck



Order Code  
**PD-DA-K**  
Keyless Drill Chuck  
• ø0.6~ø7.4 mm

Order Code  
**PD-TW-J4**  
T-Wrench for J4 

Order Code  
**PD-TW-J6**  
T-Wrench for J6 

## Reamer Attachment 300min<sup>-1</sup>



Order Code  
**PD-RA-M**  
Hudson Modified  
Trinkle Reamer



Order Code  
**PD-RA-H**  
Hudson Reamer



Order Code  
**PD-RA-T**  
Trinkle Reamer



Order Code  
**PD-RA-A**  
AO Reamer

## Saw Attachment 12,000min<sup>-1</sup>

Order Code  
**PD-SA-R**  
Reciprocating Saw Attachment



Order Code  
**PD-SA-S**  
Sagittal Saw Attachment





# Accessories

## Cleaning Tool

The risk of excessive heat development and consequent malfunction as a result of insufficient cleaning is reduced



Manual cleaning



Washer disinfector



Order Code  
**PD-CTH**  
Cleaning Holder  
• Bundled Item : PD-CTTU-606501  
PD-CTTU-600504



Order Code  
**PD-CTAD-G**  
Cleaning Adaptor G  
For drying



Order Code  
**PD-CTAD-SM**  
Cleaning Adaptor SM  
For Slim Motor Series each attachment



Order Code  
**PD-CTAD-LM**  
Cleaning Adaptor Luer M



Order Code  
**PD-CTAD-1T**  
Cleaning Adaptor 1T  
For Slim Tube



Order Code  
**PD-CTAD-LF**  
Cleaning Adaptor Luer F



Order Code  
**PD-CTAD-HM**  
Cleaning Adaptor HM  
For High Torque Motor Series each attachment



Order Code  
**PD-CTTU-606501**  
Cleaning Tube 6.0/L650



Order Code  
**PD-CTAD-WPD**  
Cleaning Adaptor WPD  
For Wire Pin Driver Series each attachment



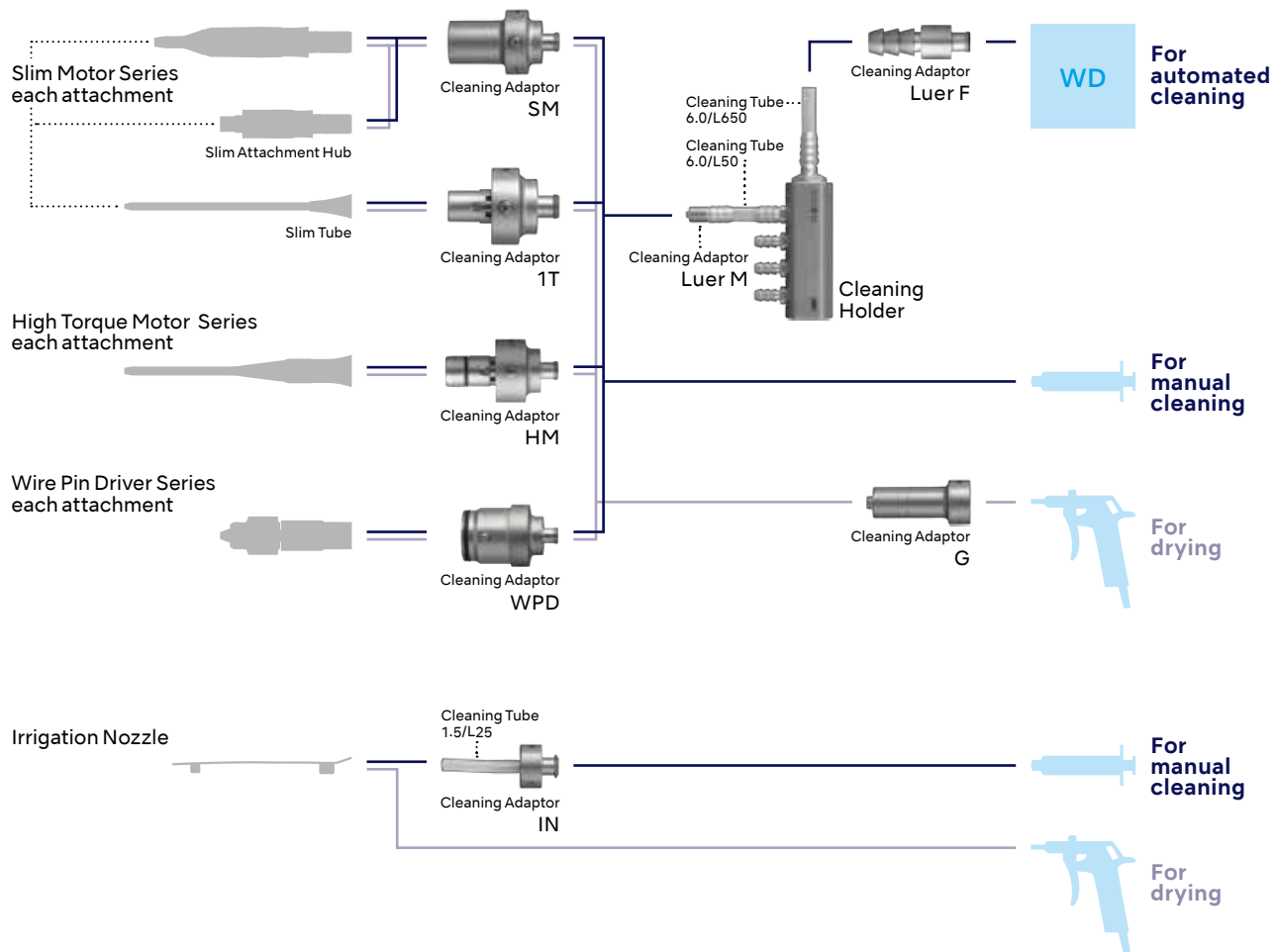
Order Code  
**PD-CTTU-600504**  
Cleaning Tube 6.0/L50 (4pcs)



Order Code  
**PD-CTAD-IN**  
Cleaning Adaptor IN  
For Irrigation Nozzle  
• Bundled Item : PD-CTTU-150252



Order Code  
**PD-CTTU-150252**  
Cleaning Tube 1.5/L25 (2pcs)



- \*Please be sure to read the reprocessing manual.
- \*These Cleaning Tools can not be used with the Bone Saw Attachment.
- \*Cleaning Adaptor IN can not be used for automated cleaning.

## Mobile Trolley



Order Code

**Z299**

**iCart-L Mobile Trolley**

- Dimensions : W360 x D420 x H800 (mm)
- Weight : 10 kg

---

## Irrigation Tube



Order Code

**Y1500070**

**Surgical Irrigation Tube**

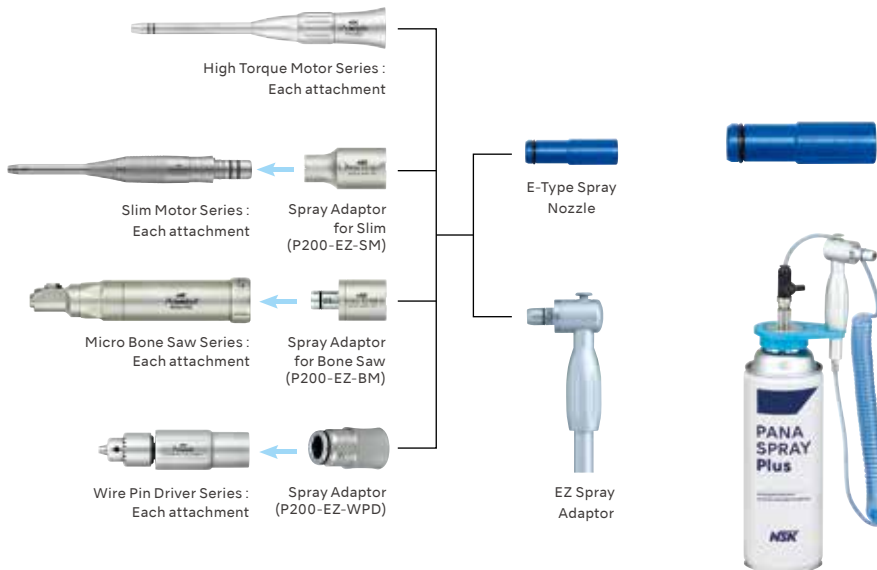
- 5 pcs/ set (Sterilized)

# Lubrication



Order code  
**Z182100**  
**PANA Spray Plus**  
 • For attachments, 480 mL

Order code  
**Y900630**  
**PANA Spray Plus (6pcs)**  
 • Pack of 6



Order code  
**Z019090**  
**E-Type Spray Nozzle**  
 • For attachments

Order code  
**PD-EZ-M**  
**EZ Spray Adaptor**  
 • PANA Spray Plus is not included

# Spray Mist Absorber



Order code  
**Y900084**  
**Spray Mist Absorber**  
 • Pack of 10

# Index

Order Code	Page
FC-73	p.08
FC-74	p.08
P200-1A135	p.13
P200-1A155	p.13
P200-1A155-C	p.13
P200-1A175	p.13
P200-1A175-C	p.13
P200-1ARA-W	p.13
P200-2AES	p.14
P200-2AL	p.14
P200-2AM	p.14
P200-2AMS	p.14
P200-2AS	p.14
P200-2SD	p.15
P200-2SES	p.14
P200-2SL	p.14
P200-2SM	p.14
P200-2SMS	p.14
P200-2SS	p.14
P200-3GAL	p.18
P200-3GAM	p.18
P200-3GAS	p.18
P200-3MC	p.16
P200-BMH	p.19
P200-BMH-HS	p.19
P200-CA-4	p.15
P200-CRA	p.16
P200-CRD-L	p.16
P200-CRD-M	p.16
P200-CRD-P	p.16
P200-CU-230	p.07
P200-EZ-BM	p.26
P200-EZ-SM	p.26
P200-EZ-WPD	p.26
P200-HMH	p.17
P200-HMH-HS	p.17
P200-IN-1A155	p.11,13
P200-IN-1A175	p.11,13
P200-IN-BS	p.20
P200-OSC	p.20
P200-OSC-S	p.20
P200-OSC-S-HS	p.20
P200-PER	p.15
P200-RA330	p.13
P200-RA330-L	p.13
P200-RCRD-L	p.16
P200-RCRD-M	p.16
P200-RCRD-P	p.16
P200-REC	p.20
P200-REC-S	p.20

Order Code	Page
P200-REC-S-HS	p.20
P200-SAG	p.20
P200-SAG-S	p.20
P200-SAG-S-HS	p.20
P200-SMH	p.09
P200-SMH-HS	p.09
P200-SMH-S	p.09
P200-WPD	p.21
P300-1AHA	p.11
P300-1AHS	p.11
P300-1T110	p.11
P300-1T110-C	p.11
P300-1T110-PB	p.11
P300-1T130	p.11
P300-1T130-C	p.11
P300-1T130-PB	p.11
P300-1T170	p.11
P300-1T240	p.11
P300-1T-B	p.11
P300-1T-H	p.11
P300-2A10	p.12
P300-2A20	p.12
P300-2A40	p.12
P300-2A60	p.12
P300-2A80	p.12
P300-2-B	p.12
P300-2S10	p.12
P300-2S20	p.12
P300-2S40	p.12
P300-2S60	p.12
P300-2S80	p.12
PD-CTAD-1T	p.23
PD-CTAD-G	p.23
PD-CTAD-HM	p.23
PD-CTAD-IN	p.23
PD-CTAD-LF	p.23
PD-CTAD-LM	p.23
PD-CTAD-SM	p.23
PD-CTAD-WPD	p.23
PD-CTH	p.23
PD-CTTU-150252	p.23
PD-CTTU-600504	p.23
PD-CTTU-606501	p.23
PD-DA-A	p.22
PD-DA-J4	p.22
PD-DA-J6	p.22
PD-DA-K	p.22
PD-DA-P	p.22
PD-DA-W	p.22
PD-EZ-M	p.26

Order Code	Page
PD-IN-2ES	p.12,14
PD-IN-2L	p.14
PD-IN-2M	p.12,14
PD-IN-2S	p.12,14
PD-IN-3L	p.18
PD-IN-3M	p.18
PD-IN-3S	p.18
PD-IN-D	p.12,14,15
PD-OSC-A	p.20
PD-RA-A	p.22
PD-RA-H	p.22
PD-RA-M	p.22
PD-RA-T	p.22
PD-SA-R	p.22
PD-SA-S	p.22
PD-TW-J4	p.22
PD-TW-J6	p.22
Y1500070	p.25
Y900084	p.26
Y900630	p.26
Z019090	p.26
Z182100	p.26
Z299	p.25







---

**NAKANISHI INC.** 

700 Shimohinata, Kanuma, Tochigi 322-8666, Japan  
TEL: +81 289 64 3380 FAX: +81 289 64 3890

**NSK Europe GmbH** 

Elly-Beinhorn-Str. 8, 65760 Eschborn, Germany  
TEL: +49 6196 77606 0 FAX: +49 6196 77606 29

Specifications are subject to change without notice. Cutting Accessories are sterilized and "Single Use" only.



Create it 